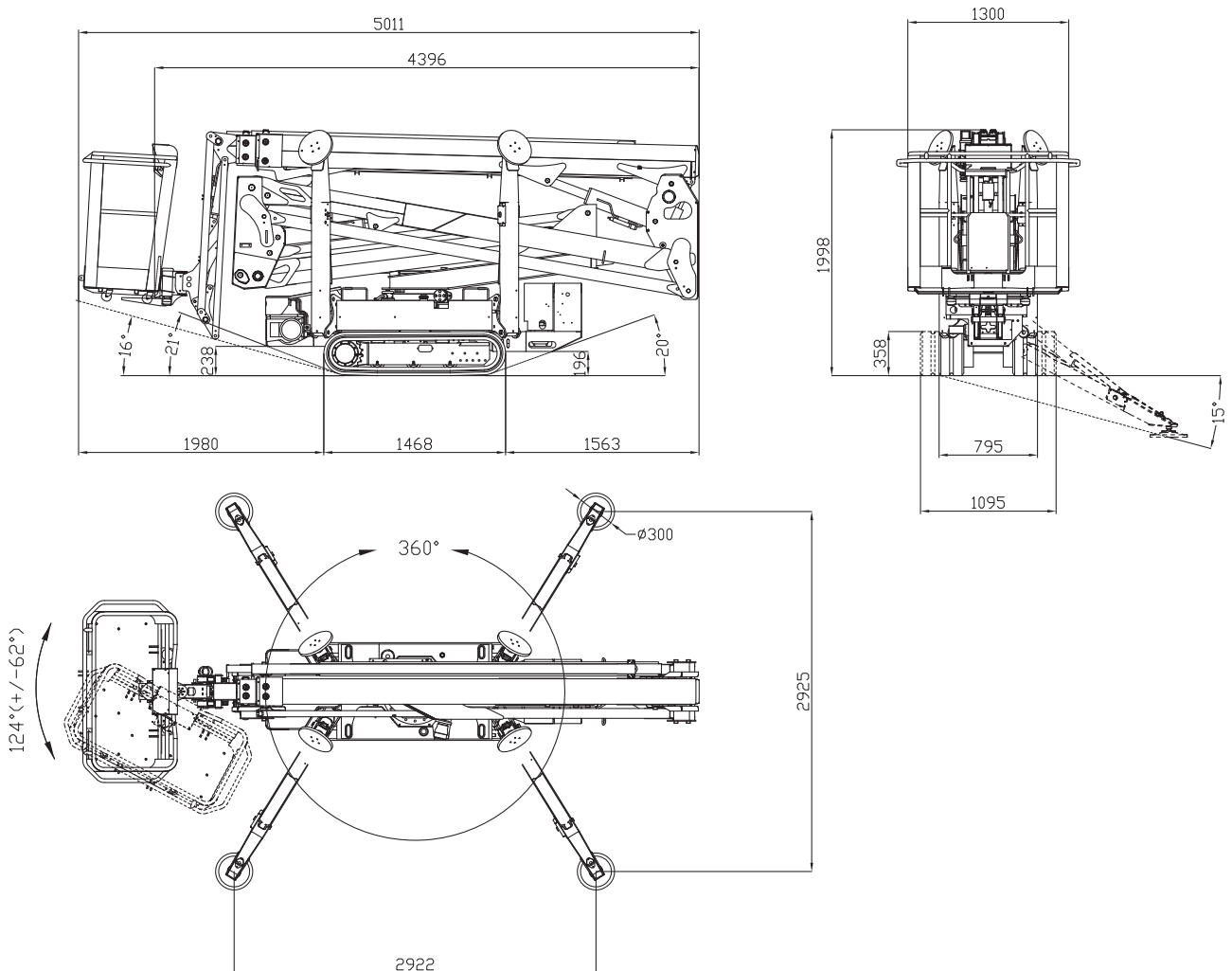
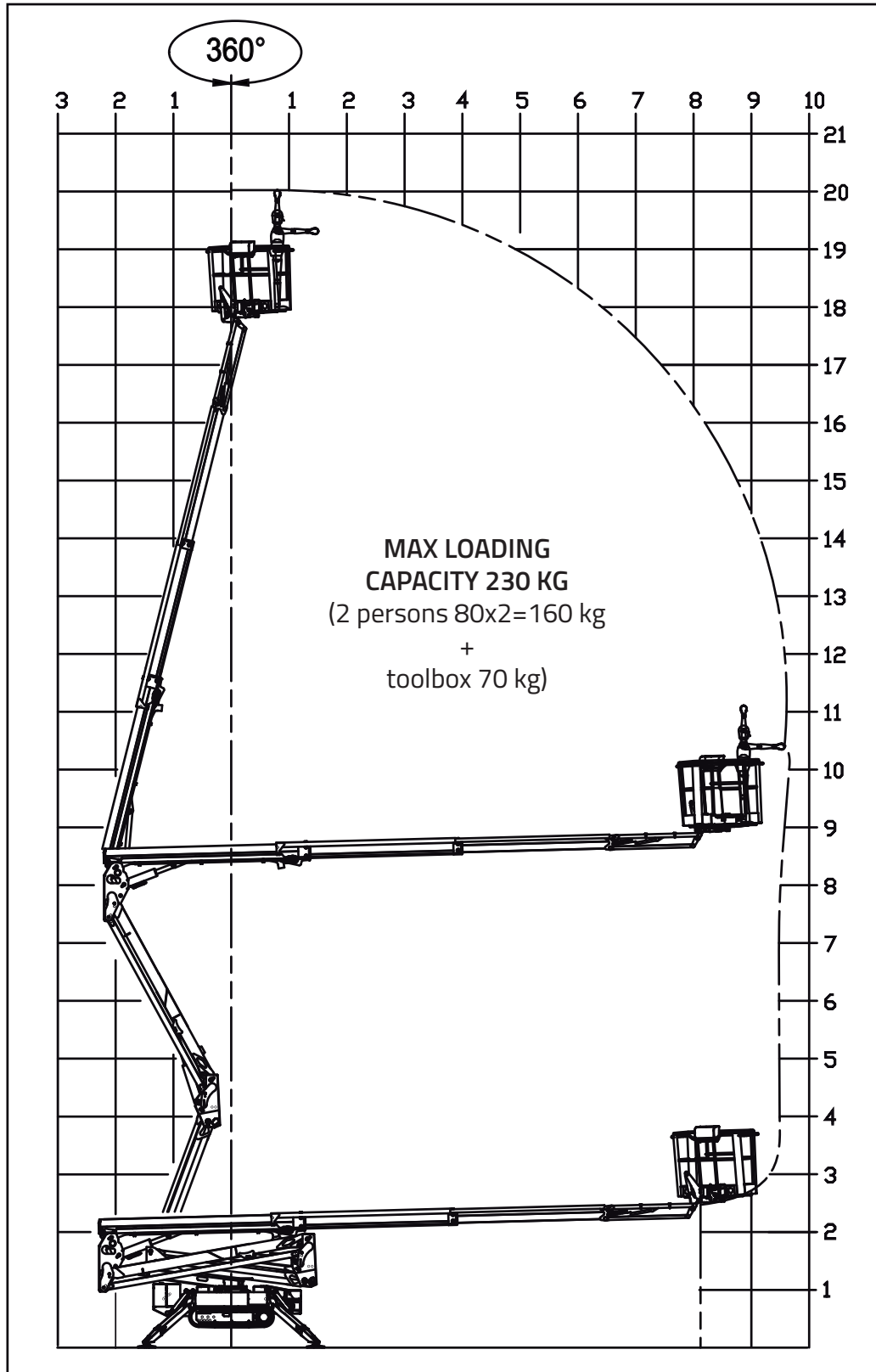


# LIGHTLIFT 20.10 *PERFORMANCE III S MK2*



# LIGHTLIFT 20.10 *PERFORMANCE III* MK2



# LIGHTLIFT 20.10 *PERFORMANCE* III *MK2*

## PETROL ENGINE

Brand ..... HONDA  
 Type ..... iGX390  
 Pistons no. and displacement ..... single-cylinder 389 cm<sup>3</sup>  
 Max. gross power ..... 11,7 HP - 8,7kW @ 3600 rpm  
 Electrical start ..... 12 volt

## DIESEL ENGINE

Brand ..... KUBOTA  
 Type ..... Z602  
 Pistons no. and displacement ..... single-cylinder 599 cm<sup>3</sup>  
 Max. gross power ..... 14,5 HP - 10,8kW @ 3200 rpm  
 Electrical start ..... 12 volt

## ELECTRIC MOTOR

Standard ..... 230V / 50 Hz - 2,2 kW  
 Optional ..... 110V / 50 Hz - 2,2 kW

## HYDRAULIC PUMPS

Pump engine ..... no. 2 gear pumps  
 Pump electric motor ..... no. 2 gear pumps

## TRACKED UNDERCARRIAGE

Track tensioner ..... grease-filled  
 Rollers no. per side ..... 3 + slide  
 Widening system ..... 795 / 1095 mm  
 Translation speed (petrol engine) with 2<sup>nd</sup> auto2speed ..... 0,4 - 1,0 - 1,95 km/h  
 Translation speed (diesel engine) with 2<sup>nd</sup> auto2speed ..... 0,5 - 1,3 - 2,5 km/h

WEIGHT MACHINE (petrol engine) ..... 2840 kg  
 WEIGHT MACHINE (diesel engine) ..... 2940 kg

FUEL TANK (petrol engine) ..... 5,3 litri  
 FUEL TANK (diesel engine) ..... 11 litri

MAX UPPER SLANT ..... 16° / 28,7%  
 MAX WIND SPEED ..... 12,5 m/s

# LIGHTLIFT 20.10 PERFORMANCE III S MK2



## ELECTRIC SYSTEM - LITHIUM ION

Electric system voltage .....	72V-12V
Lithium battery pack .....	7,2 kWh
Autonomy (continuous cycle)* .....	4-5 h
Onboard battery charger .....	220V 50Hz
Optional battery charger .....	110V 50Hz
Recharge time on flat batteries .....	4 h (indicative)
Recharge time to 80% on flat batteries.....	2 h (indicative)

## HYDRAULIC PUMPS

Electric motor .....	no.2 gear pumps
----------------------	-----------------

## TRACKED UNDERCARRIAGE

Track tensioner .....	grease-filled
Rollers no. per side .....	3 + slide
Widening system .....	795 / 1095 mm
Translation speed .....	0,83 - 1,6 km/h

WEIGHT MACHINE .....	2950 kg
MAX UPPER SLANT .....	16° / 28,7%
MAX WIND SPEED .....	12,5 m/s

\* (Autonomy measured with Hinowa H2 operating cycle)