

# DEVELON

## TECHNICAL SPECIFICATIONS

# DX17Z-7 DX19-7



### Engine

Make	KUBOTA
Model	D902
Number of cylinders	3
Rated power, gross	16.2 hp (12.1 kW) @ 2400 rpm
Rated power, net	16 hp (11.9 kW) @ 2400 rpm
Max. torque, net	5.57 kgf.m @ 1900 rpm
Displacement	0.898 l
Bore and stroke	72 × 73.6 mm
Starter	12 V, 1.2 kW
Alternator	12 V, 40 A
Air cleaner	Double elements

### Hydraulics

Main pumps	2 × 17.3 l/min @ 2300 rpm
Pilot pump (gear design)	10.4 / 6.2 l/min @ 2300 rpm
Relief pressure aux. line	206 bar

### Maximum System Pressure

Boom/arm/bucket (normal mode)	210 kg/cm <sup>2</sup>
Swing (crossover relief)	165 kg/cm <sup>2</sup>

### Swing Mechanism

Swing speed	9.2 rpm
Swing torque	4025 lbf.ft. (557 kgf.m)

### Drive System

Travel speed (low – high)	2.06 – 3.73 km/h
Traction force, max. (drawbar pull)	14.13 Kn
Max. Gradeability	35°

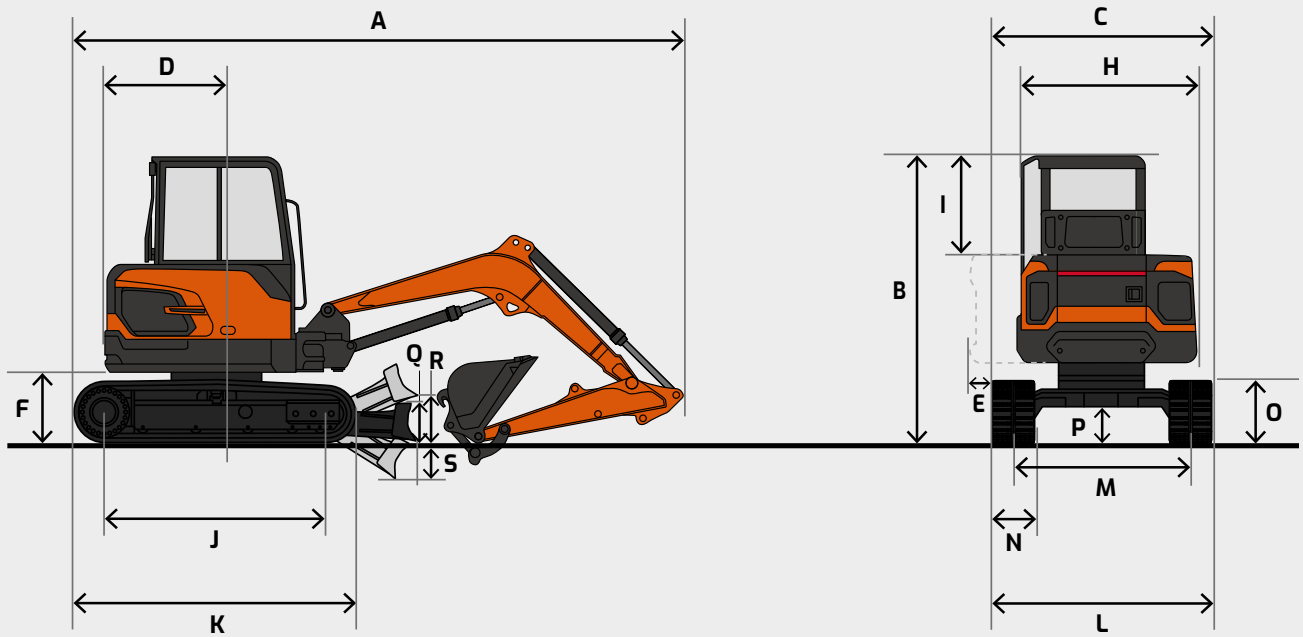
### Environment

Sound level (ISO 6395)	92 dB(A)
Cabin sound level (ISO 6396)	75.3 dB(A)

### Refill Capacities

	DX17Z-7	DX19-7
Fuel tank	19.5 l	21.3 l
Cooling system (radiator capacity)	5.4 l	
Engine oil	3.7 l	
Travel device	2 × 0.33 l	
Hydraulic tank	12.1 l	20 l

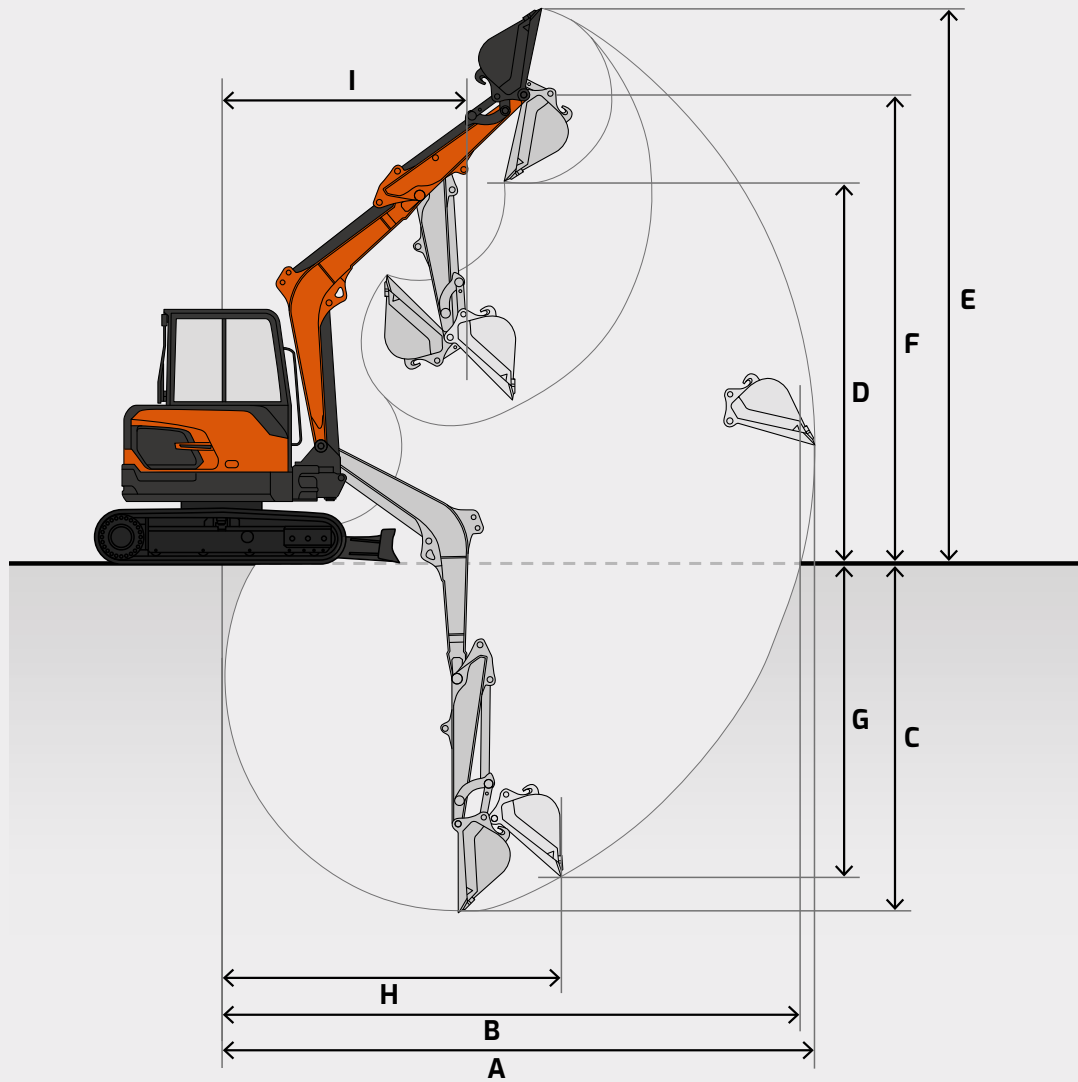
# Dimensions



## Machine Dimensions

	Unit	DX17Z-7 (Canopy)		DX19-7 (Canopy)	DX19-7 (Cab)
Boom length	mm	1750		1750	
Arm length	mm	1030	1230	1030	1230
Bucket capacity	m <sup>3</sup>	0.04		0.04	
Undercarriage (track + grouser)	-	Rubber		Rubber	
Operating weight	kg	1850	1980	1885	2020
Counterweight	kg	180	260		
<b>A</b> Overall length	mm	3531	3528	3837	3835
<b>C</b> Overall width (track extension)	mm	994 (1290)		994 (1290)	
<b>Y</b> Overall width (dozer blade)	mm	1294		1294	
<b>B</b> Overall height	mm	2320		2275	2270
<b>H</b> Overall width of upper structure	mm	980		980	
<b>I</b> Overall height of canopy	mm	2320		2275	2270
Ground clearance of counterweight	mm	415		415	
Overall height of engine hood	mm	1095		1240	
<b>P</b> Minimum ground clearance	mm	150		150	
Rear-end distance	mm	645	720	1065	
Rear-end swing radius	mm	645	720	1065	
<b>J</b> Distance between tumblers	mm	1230		1230	
<b>K</b> Undercarriage length	mm	1580		1580	
<b>L</b> Undercarriage width (track extension)	mm	994 (1290)		994 (1290)	
<b>M</b> Track gauge (track extension)	mm	764 (1060)		764 (1060)	
<b>N</b> Track shoe width	mm	230		230	
<b>Q</b> Height of blade	mm	225		225	
<b>R</b> Ground clearance of blade up	mm	183		183	
<b>S</b> Depth of blade down	mm	222		222	

# Dimensions - DX19-7



## Working Range

	Unit	DX19-7 (Canopy)	DX19-7 (Canopy)	DX19-7 (Cab)
Arm length	mm	1030	1230	1230
<b>C</b> Max. digging reach	mm	3940	4130	4130
Max. digging reach (ground level)	mm	3850	4040	4040
<b>G</b> Max. digging depth	mm	2340	2540	2540
<b>A</b> Max. vertical wall depth	mm	1840	2020	2020
<b>E</b> Max. digging height	mm	3470	3585	3585
<b>F</b> Max. dumping height	mm	2440	2550	2550
<b>I</b> Min. swing radius	mm	1725	1760	1760
Boom swing angle (left/right)	°	55 / 59		55 / 59