

Model 260MRT

SCISSOR LIFTS

JLG®

STAGE 5
COMPLIANT

MORE ECONOMIC

- Get higher productivity and efficiency plus lower costs and emissions with Advanced Design Electronics.

MORE PRODUCTIVE

- Grippy four-wheel-drive for superior, go-anywhere terrainability on almost any job site.

MORE ACCESS

- More room for people and materials thanks to spacious deck with standard extension.

SMART DESIGN

- Get into more places with compact dimensions and precise control system.



Standard Features

- 1.65 m x 2.59 m steel platform (deck extension retracted)
- 1.22 m manual front deck extension
- Fold down handrails
- Self-closing gate
- Lanyard attach points
- Proportional drive control with thumb steer
- Proportional lift/lower speed control
- Joystick enable for lift and drive
- Moveable and removable platform console box
- Load sensing system
- Kubota D1005 E4B (17.5 kW) diesel engine
- On-board self-diagnostic testing
- Engine distress warning/shut down system **
- Hydrostatic drive with anti stall function
- Two speed drive selection
- Four wheel drive
- 3 degree tilt alarm and indicator light
- Steel scissor guards
- 26 x 12 foam filled loader lug tread tyres
- Lifting/tie down lugs
- Hour meter
- Ground control selector switch with key lock
- Lubrication free scissor arm bushings
- Scissor maintenance prop
- Horn
- AC power cable to platform

Standard Specifications

- | | |
|----------------------|----------------------------|
| • Diesel Engine | Kubota D1005 E4B (17.5 kW) |
| • Fuel Tank Capacity | 27 L |
| • Hydraulic System | 68 L |
| • Tyres | 26 x 12 Lug Tread |
| • Brakes | Spring Applied Hydraulic |

Accessories & Options

- Hydraulic levelling jacks
- Descent alarm
- All motion alarm
- 13 mm air line to platform
- Platform work lights
- Flashing amber beacon
- Plugs & Sockets
- Cylinder bellows
- ClearSky Locate

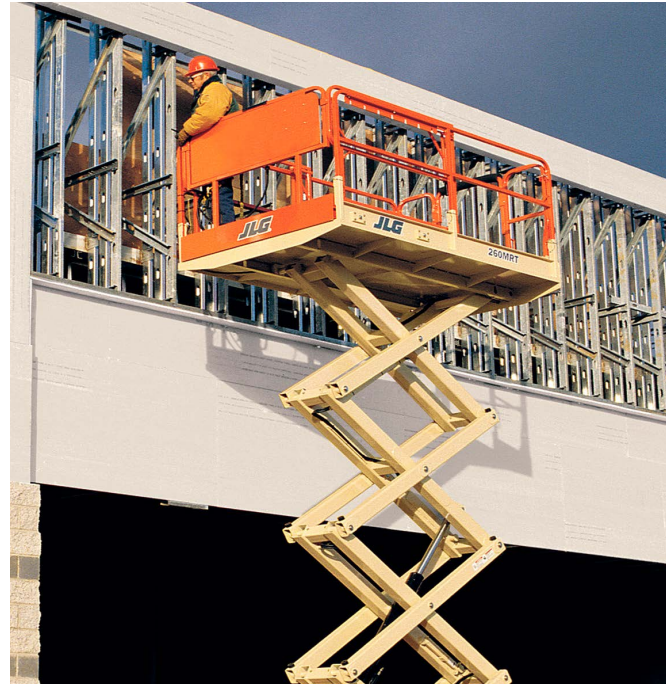
** The engine will automatically shutdown in the event of low oil pressure, high coolant temperature or a temperature sensor or oil pressure sensor fault. Alarm with shut-down enabled/disabled by analyser.

Model 260MRT

SCISSOR LIFTS

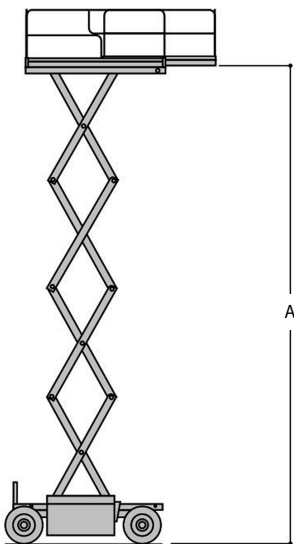
Performance

• Working Height	9.92 m
A. Platform Height – Elevated	7.92 m
B. Platform Height – Lowered	1.26 m
C. Platform Railing Height	1.10 m
D. Stowed Height (Rails Folded)	1.47 m
E. Platform Size Inside (W x L)	1.65 m x 2.59 m
F. Deck Extension	1.22 m
G. Overall Width	1.75 m
H. Overall Length	2.67 m
I. Wheelbase	1.98 m
J. Ground Clearance (centre of machine)	0.20 m
• Platform Capacity - indoor	570 kg
• Capacity on Deck Extension	140 kg
• Lift/Lower Time (no load)	37/24 sec.
• Maximum Drive Height	7.92 m
• Machine weight ¹	3,390 kg
• Maximum Ground Bearing Pressure	8.30 kg/cm ²
• Drive Speed – Lowered	5.6 km/h
• Drive Speed – Elevated	0.8 km/h
• Gradeability	35%
• Turning Radius – Inside	2.13 m
• Turning Radius – Outside	4.39 m

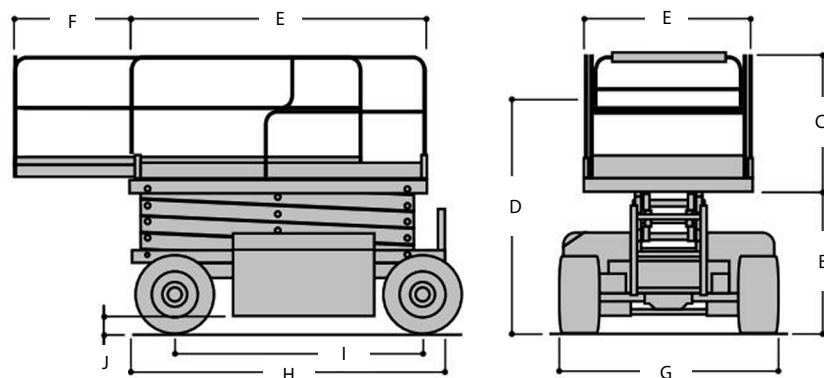


¹ Certain options or country standards may increase weight and/or dimensions.

Reach Diagram



Dimensions



IMPORTANT

JLG is continually researching and developing products and reserves the right to make modifications without prior notice. All data in this document is indicative. Certain options or country standards will increase weight. Specifications may change to meet country standards or with the addition of optional equipment.

Due to continuous product improvements, JLG Industries reserves the right to make specification and/or equipment changes without prior notification.



JLG EMEA BV

Polaris Avenue 63
2132 JH Hoofddorp
The Netherlands
Phone: +31 (0)23 565 5665
www.jlg.com

An Oshkosh Corporation Company